



Wrapid Tape™

Primerless Crosslinked Protective Tape

Canusa-CPS is a leading manufacturer of specialty pipeline coatings which, for over 30 years, have been used for sealing and corrosion protection of pipeline joints and other substrates. Canusa high performance products are manufactured to the highest quality standards and are available in a number of configurations to accommodate your specific project applications.

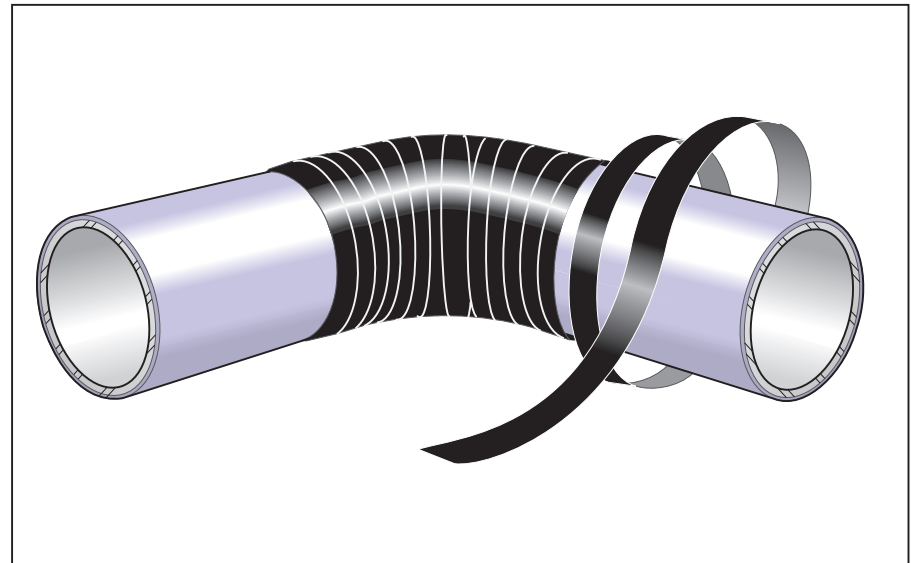
Product Description

Canusa Wrapid Tape™ consists of a crosslinked polyolefin backing, coated with a protective, heat sensitive anti-corrosion adhesive which effectively bonds to steel substrates and common pipeline coatings including polyethylene and fusion bonded epoxy. Upon the application of heat, Wrapid Tape™ shrinks down to fully encapsulate the protected substrate. The product is packaged in convenient rolls with various widths to protect and repair pipelines, fittings, bends, elbows and other irregular configurations.

Features & Benefits

Easy Installation

The flexibility provided by the thinner tape dimension allows Wrapid Tape™ to effectively protect both conventional substrates such as circular pipe as well as irregular transitions such as elbows and risers. Upon the application of heat, the specially formulated adhesive flows into all surface irregularities, forming a protective barrier against corrosion.



Saves Time & Money

Wrapid Tape™ is quick and easy to install. Since no special priming or operator equipment is required, product installation is quick and labour costs are kept to a minimum. Unlike conventional cold-applied tapes, Wrapid Tape™ does not require the use of high volatile primers, further minimizing costs and risks to health and safety.

Long Term Protection

Wrapid Tape™ is manufactured using materials that provide high electrical resistivity, low water absorption and low moisture permeability. The unique crosslinking process results in a protective backing that is much tougher than conventional tapes, more effectively resisting abrasion and damage, and thus extending the lifetime of the substrate. Wrapid Tape™ can also be double or triple wrapped for extra mechanical protection when required.

Applications



Oil & Gas



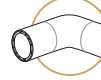
Water Pipelines



Repair & Rehab



Fittings



Bends



Girth-Weld Joints

Configurations



Wrapid Tape™



2-Layer

Pipe Sizes



All Sizes

Temperature Range



up to 55°C (131°F)

Wrapid Tape™

Operating Characteristics

Tape Operating Characteristics	Celsius		Fahrenheit		Hot Melt		Mastic	
					HCA	HCO	HCC	
Pipeline Operating Temperature	110°	230°						
	90°	194°						
	70°	158°						
	50°	120°						
	30°	85°						
Minimum Installation Temperature	60 (140)		65 (149)		60 (140)			
Resistance to Soil Stress	good		good		fair			
Main Line Coating Compatibility	PE, FBE, PU		Bit, CT, PU, PE, PP, FBE					

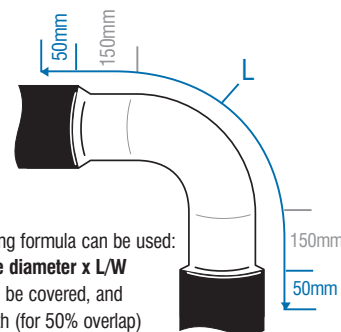
Tape Usage Guide

Nominal Pipe Diameter	Recommended Tape Width	Length of Tape Required			
		3D Bend		5D Bend	
DN inches	mm inches	M feet	M feet	M feet	M feet
25 1	50 2	2.8 9.3	2.8 9.3		
40 1.5	50 2	4.0 13.2	4.6 15		
50 2	50 2	5.2 17	6.2 20.3		
80 3	50 2	8.5 28	10.6 34.7		
100 4	50 2	12.3 40	14.8 48.6		
125 5	75 3	11.1 36.4	13.6 44.6		
150 6	75 3	14.3 46.9	18.3 60		
200 8	100 4	16.3 53.4	20.8 68.2		
250 10	100 4	23.1 75.8	30.6 100.4		
300 12	100 4	30.4 99.8	40.9 134.2		
>300 >12	150 6	see formula below			

Typical Product Properties

Adhesive	Test Standard	Unit	HCA	HCO	HCC
Softening Point	ASTM E28	°C (°F)	72 (162)	102 (216)	90 (194)
Lap Shear	ASTM D1002	N/cm ² (psi)	60 (87)	40 (58)	30 (44)
Backing					
Specific Gravity	ASTM D792		0.93	0.93	0.93
Tensile Strength	ASTM D638	MPa (psi)	20 (2900)	20 (2900)	20 (2900)
Elongation	ASTM D638	%	600	600	600
Hardness	ASTM D2240	Shore D	46	46	46
Abrasion Resistance	ASTM D1044	mg	45	45	45
Tape					
Impact	ASTM G14	pass/fail	pass	pass	pass
Peel	ASTM D1000	N/cm (pli)	35 (20)	52 (30)	26 (15)
Water Absorption	ASTM D570	%	0.05	0.05	0.05
Cathodic Disbondment	ASTM G8	mm rad	13	6	8
Dielectric Voltage Brkdwn.	ASTM D149	kV/mm	27	27	27
Low Temp. Flexibility	ASTM D2671C	°C (°F)	-32 (-25)	5 (23)	-14 (-7)
DIN Approval	DIN 30 672	class	C30/C50	-	-
Fully Recovered Thickness		mm (mils)	1.5 (60)	1.5 (60)	1.5 (60)

The above table shows the typical usage for 3D and 5D bends, assuming a line coating cutback of 150 mm (6") and



For other sizes, the following formula can be used:
Length of tape = TT x pipe diameter x L/W
 where L=length of area to be covered, and
 W= 1/2 of tape width (for 50% overlap)

How To Order:

Dimensions & Ordering Info	Wrapid Tape™
HCA-B 75-15 BK	
Colour ▶	BK-Black, YE-Yellow
Length of Roll ▶	15m (50 ft)
Width of Roll ▶	50, 75, 100, 150, 200, 300 mm (2", 3", 4", 6", 8", 12")
Bulk Roll Designation ▶	B - Bulk Roll Designation
Adhesive (thickness as supplied) ▶	A - 0.75 mm (30 mils), O - 0.75 mm (30 mils), C - 0.75 mm (30 mils)
Backing (thickness as supplied) ▶	C - 0.4 mm (16 mils)
Configuration ▶	H - Tape

The above represents standard ordering options. Consult your Canusa representative for any unique project requirements.



Canada
 CANUSA-CPS
 a division of SHAWCOR LTD.
 25 Bethridge Road
 Rexdale, Ontario
 M9W 1M7,
 Canada
 Tel: +1 (416) 743-7111
 Fax: +1 (416) 743-5927

U.S.A./Latin America
 CANUSA-CPS
 a division of SHAWCOR INC.
 2408 Timberloch Place
 Building C-8
 The Woodlands, Texas
 77380, U.S.A.
 Tel: +1 (281) 367-8866
 Fax: +1 (281) 367-4304

Europe/Middle East
 CANUSA-CPS
 a division of Canusa Systems Ltd.
 Unit 3, Sterling Park
 Gatwick Road
 Crawley, West Sussex
 England RH10 9QT
 Tel: +44 (1293) 541254
 Fax: +44 (1293) 541777

www.canusacps.com

Asia/Pacific
 CANUSA-CPS
 BrederoShaw (S) Pte Ltd
 101 Thomson Road
 #17-01/02, United Square
 Singapore
 307591
 Tel +65-6732-2355
 Fax +65-6732-9073